

# TECHNICAL DATASHEET COOKING SURFACE 3.0

## TECHNICAL DATASHEET

Name	INDUCTION HOB
Reference	Cooking v3.0
Model	SVIF-CK3.0

**CONTENT:** Includes instruction manual, bottle of thermal paste for the installation and set of 3 silicone thermal insulators for temperatures maximum of 250 °C.

Voltage	230V/50Hz, single phase
Power	5500W (1500W/1800W/2200W)
Size	560x493x57mm
Weight	8.1 Kg
Characteristics	2 inductors of 19cm + 1 inductor of 26cm Controller APP

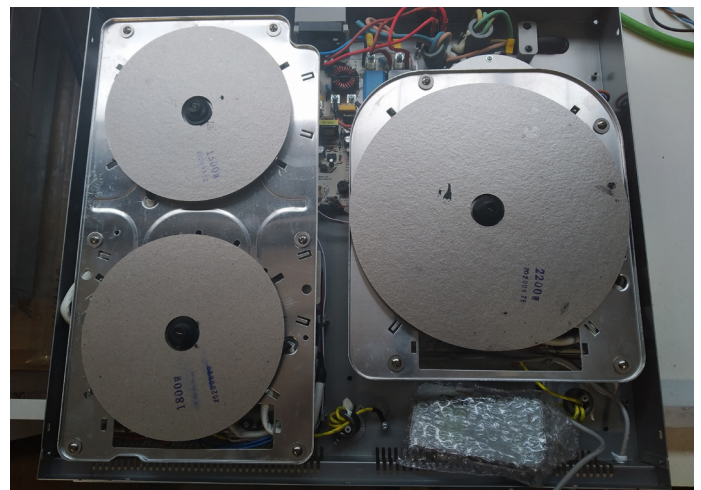
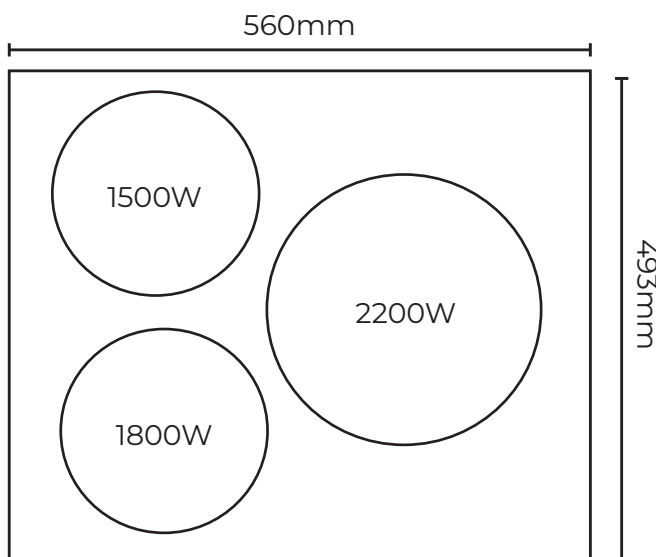
**Description:** electromagnetic induction hob developed for installation under a porcelain countertop, being hidden and flush with said surface.

**Control and data of use:** the manipulation of the hidden or invisible induction hob is carried out with a touch control/LCD display that is connected to it by a 1m long cable. The cable is mandatory to obtain the CE certificate as it protects the user/customer from possible risks of remote control for this type of product, avoiding fire hazards or other risks such as overheating and breaking the porcelain.

**Cooking zones:** Cooking 3.0 has three cooking zones for different powers of use. Each zone is independently controlled by 9 power levels.

**Installation:** The ventilation of this model is located at the front and is required as minimum 10 cm between the induction and the rest of the components that are below the hob, such as for example a drawer. It must be taken into account that the hob lowers 5.5 cm below the worktop of porcelain. The fixing is done by side aluminum bars.

**Certificates:**   



# Stolanic

PORCELANIC SURFACES

ARBE STOLANIC S.L.

C/ Gregal, 27 Pol. Ind. Los Vientos, 46119 Náquera (Valencia)

960074966 | sat@cookingsurface.com

**COOKING**  
SURFACE PRIME



[www.cookingsurface.com](http://www.cookingsurface.com)