

# TECHNICAL DATASHEET COOKING SURFACE 4.0

## TECHNICAL DATASHEET

Name	INDUCTION HOB
Reference	Cooking 4.0
Model	SVIF-CK4.0

**CONTENT:** Includes instruction manual, bottle of thermal paste for the installation and set of 4 silicone thermal insulators for temperatures maximum of 250 °C.

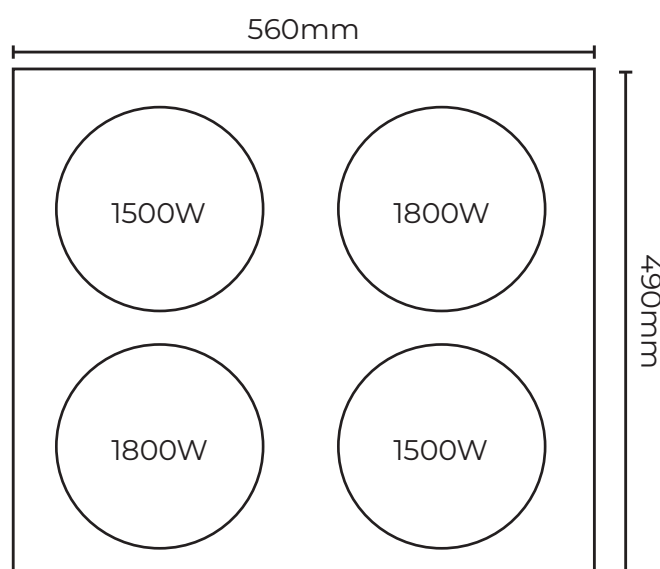
Voltage	~220-240V /400V2N, 50Hz
Power	6600W (2x1500W/2x1800W)
Size	560x493x57mm
Weight	8.1 Kg
Characteristics	4 inductors of 19cm Controller APP

**Description:** electromagnetic induction hob developed for installation under a porcelain countertop, being hidden and flush with said surface.

**Control and data use:** the manipulation of the hidden or invisible induction hob is carried out with a control with 4mm tempered glass with white screen printing and LED lighting, which is connected to the by means of a 1m long cable.

**Cooking zones:** Cooking 4.0 has four cooking zones with different powers of use.

**Installation:** The ventilation of this model is located at the front and is required as minimum 10 cm between the induction and the rest of the components that are below the hob, such as for example a drawer. It must be taken into account that the hob lowers 5.5 cm below the worktop of porcelain. The fixing is done by side aluminum bars.



# Stolanic

PORCELANIC SURFACES

ARBE STOLANIC S.L.

C/ Gregal, 27 Pol. Ind. Los Vientos, 46119 Náquera (Valencia)

960074966 | sat@cookingsurface.com

**COOKING**  
SURFACE PRIME



[www.cookingsurface.com](http://www.cookingsurface.com)